

4

3

2

1

D

D

C

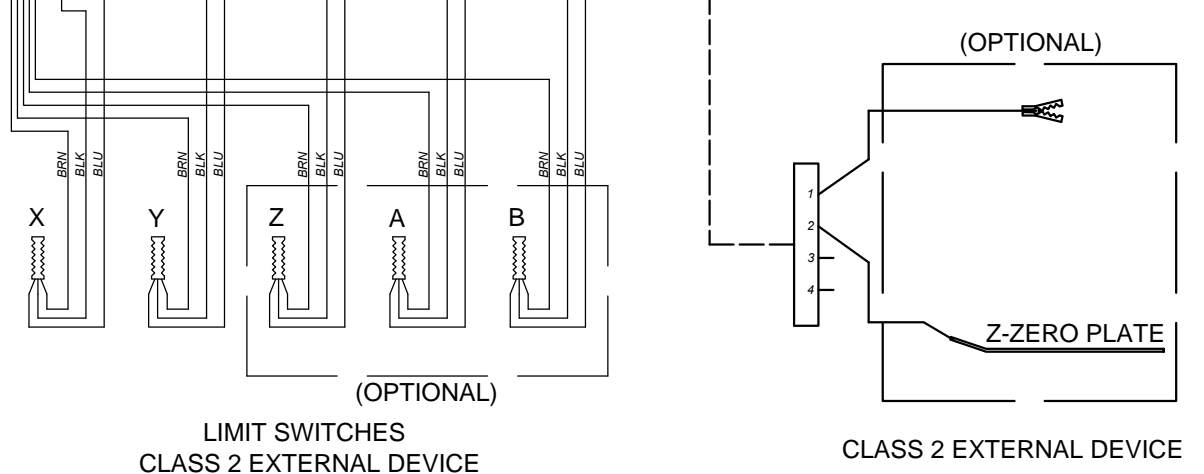
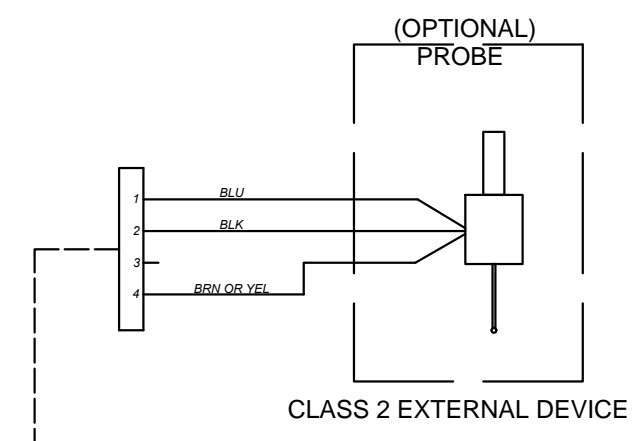
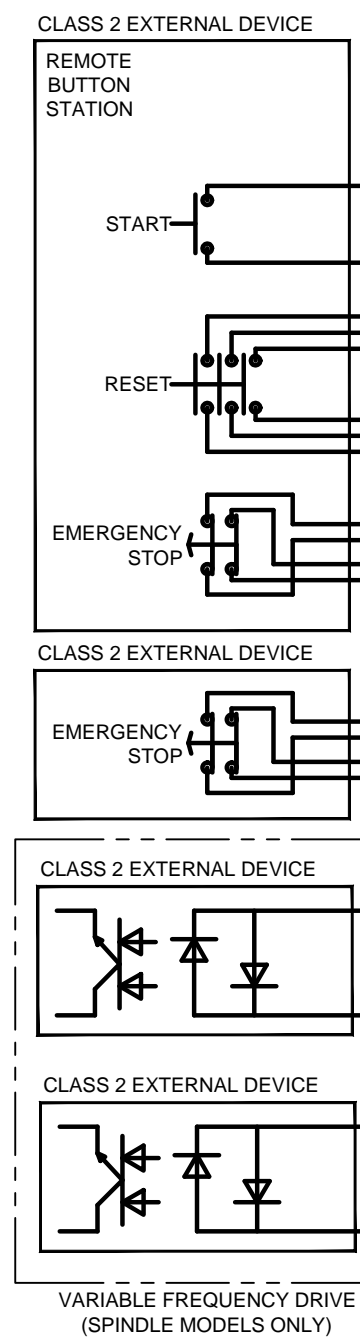
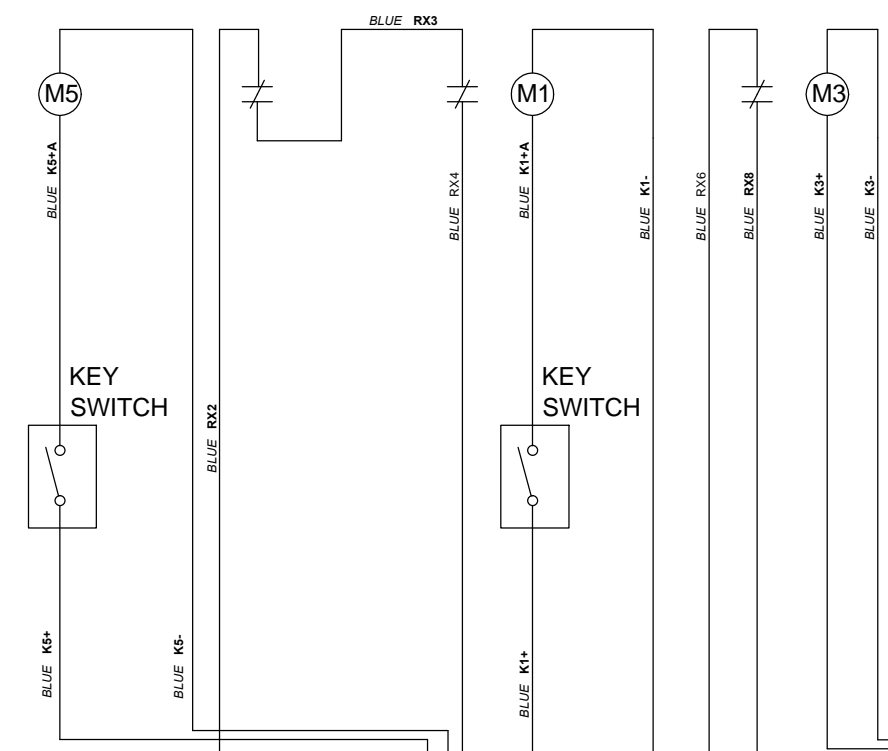
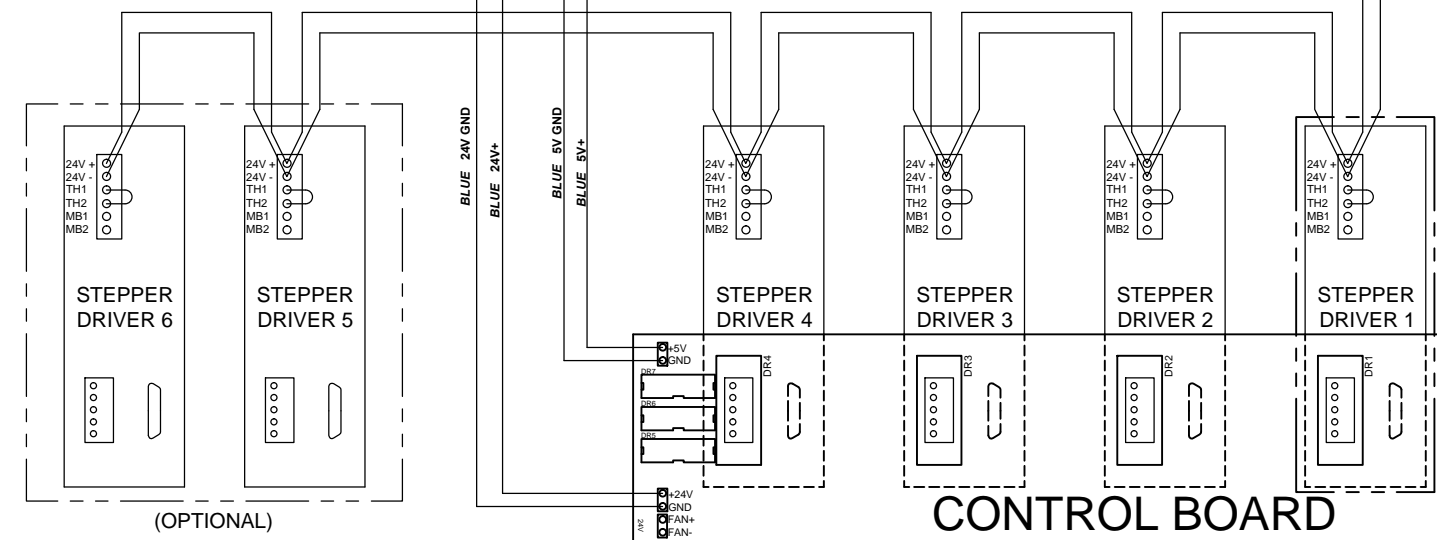
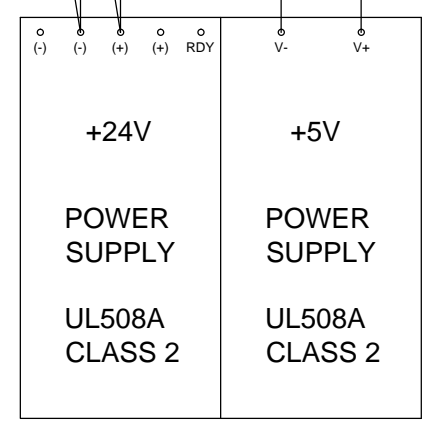
C

B

B

A

A



CONTROL DIAGRAM - 2 CUTTING HEAD (DOMESTIC)

DIM UNITS: MM SCALE: NONE

THIS DOCUMENT CONTAINS CONFIDENTIAL INFORMATION OF SHOPBOT TOOLS. IT IS NOT TO BE REPRODUCED BY ANY MEANS OR USED TO FURNISH INFORMATION TO OTHERS WITHOUT THE EXPRESS CONSENT TO THE OWNER. THE INFORMATION SHALL BE USED BY RECIPIENTS ONLY AS EXPRESSLY APPROVED BY OWNER AND THIS DOCUMENT SHALL BE RETURNED TO OWNER UPON REQUEST.

©2008, SHOPBOT TOOLS, INC., ALL RIGHTS RESERVED

ShopBot
Durham, North Carolina

TITLE: **CONTROL DIAGRAM-2 HEAD (DOMESTIC)**

DRAWN KWP	DATE 10/23/14	CHECKED	DATE	APPROVED	DATE
SIZE C	DRAWING NUMBER 004120-00		REV 1		
PART NUMBER 004120-00			SHEET 1 OF 1		

1	441	2/6/17	GAB	Add UL label and modify notes
REV	CHG NOTICE	DATE	BY	REVISION DESCRIPTION

4

3

2

1