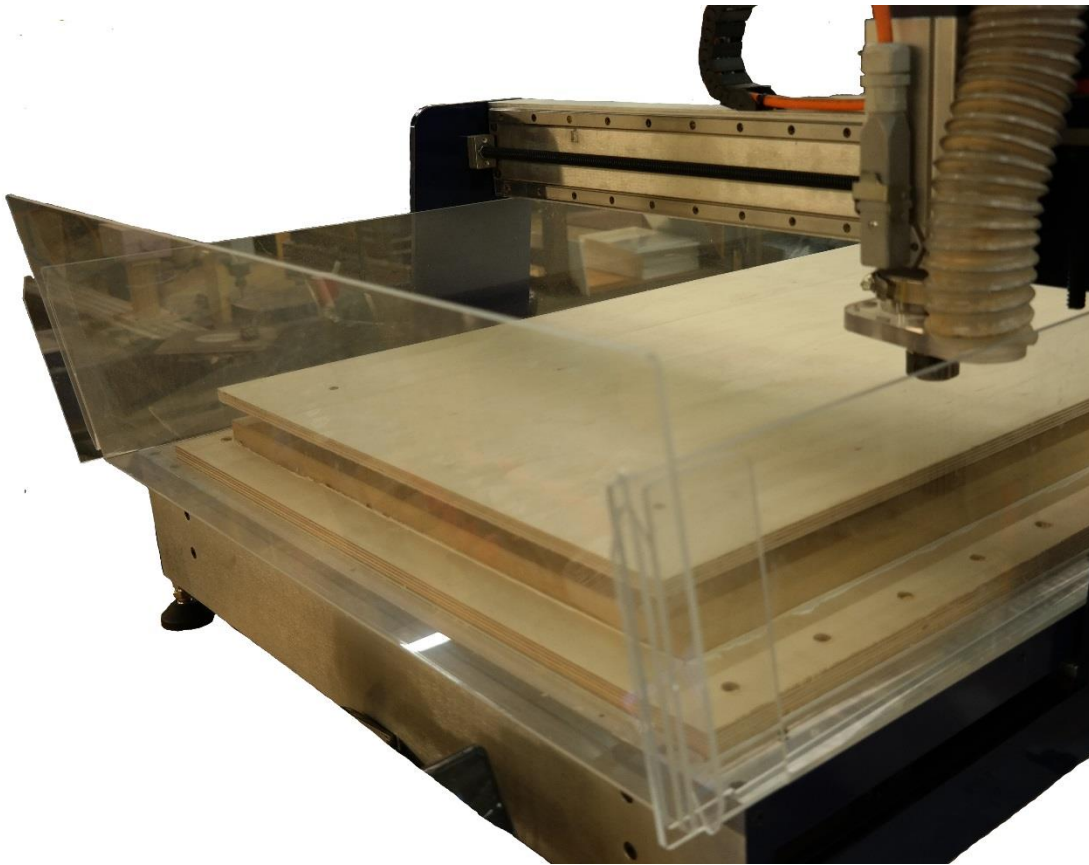


Desktop MAX Mini Enclosure



ShopBot Tools, Inc.
3333-B Industrial Drive,
Durham NC 27704
ShopBotTools.com

Technical Support
support@shopbottools.com
1-888-680-4466

Table of Contents

Parts and Tools Required:	3
Instructions:	3

Parts and Tools Required:

Item Number:	Description:	Qty
1	Enclosure, Left	1
2	Enclosure, Right	1
3	Enclosure, Back	1
4	Enclosure, Front	1
5	Enclosure, Door	1
6	Bolt, BHSCS, M4-0.7x10mm	8

Wrench, Allen, 2.5mm (not included)

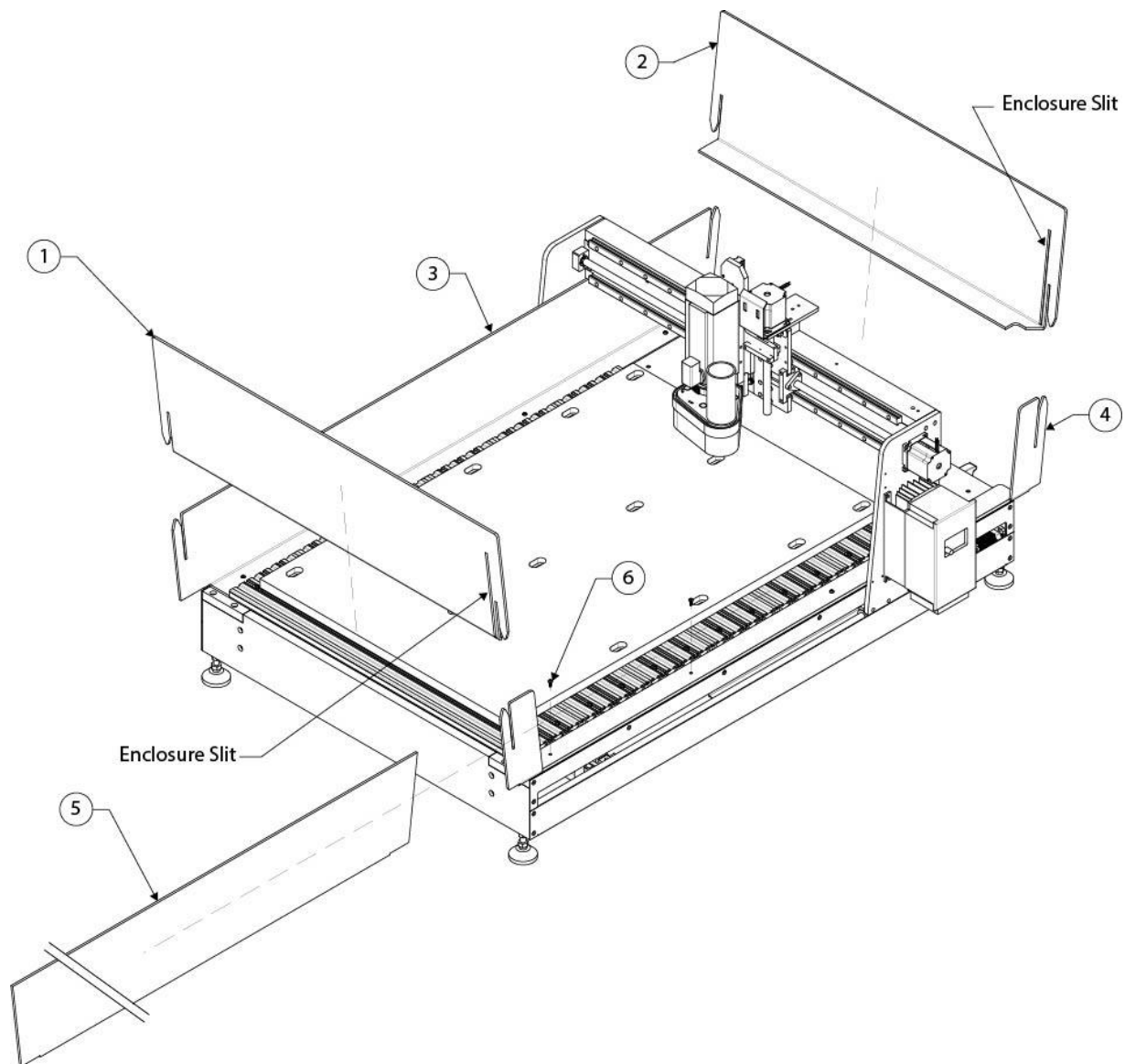
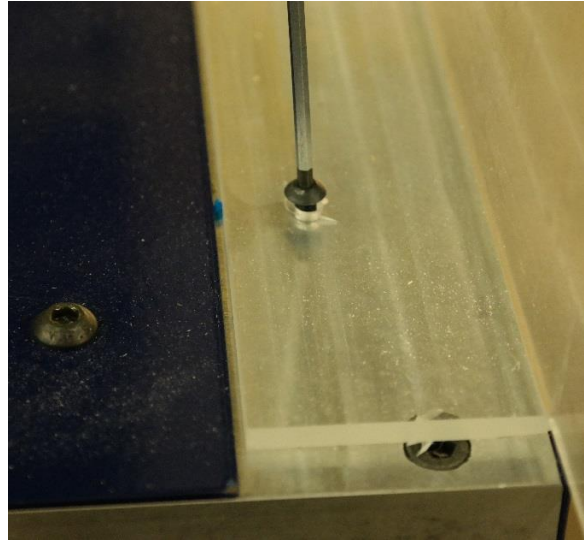


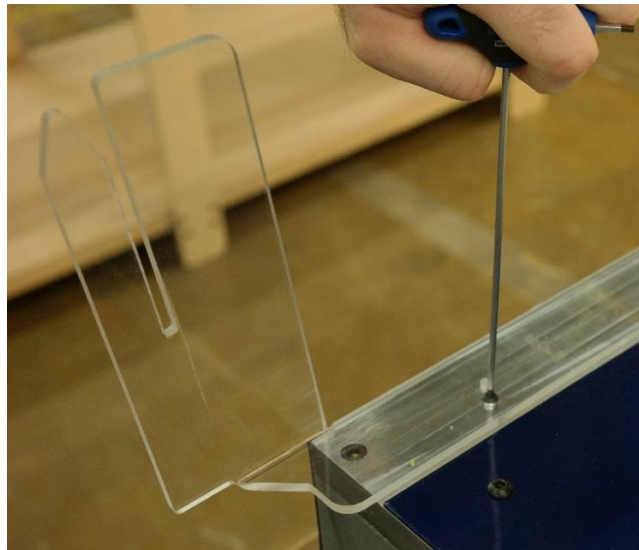
Figure 1 – Desktop MAX Mini Enclosure

Instructions:

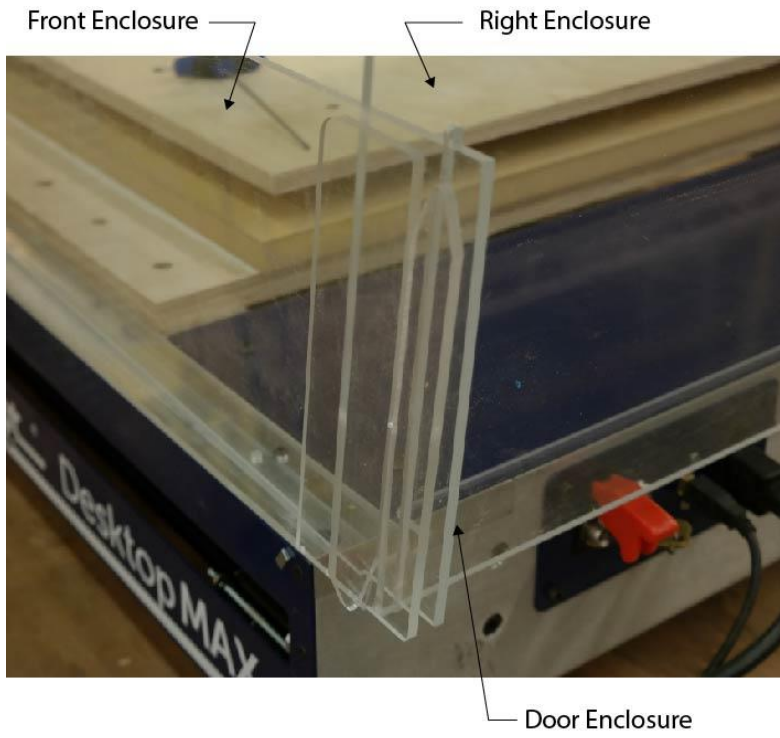
1. Slide back enclosure (Figure 1, Item 3) under gantry, and secure with four bolts (Figure 1, Item 6).



2. Install front enclosure (Figure 1, Item 4) on front of machine and secure with four bolts (Figure 1, Item 6).



3. Slide left and right enclosures (Figure 1, Item 1 and 2) onto front and rear enclosure, with enclosure slit towards front of machine.
4. Slide door enclosure (Figure 1, Item 5) through slit on each side.



Revision History

Date:	ECO:	Change:	Author:
2016 01 15		New Release	M. Cummings