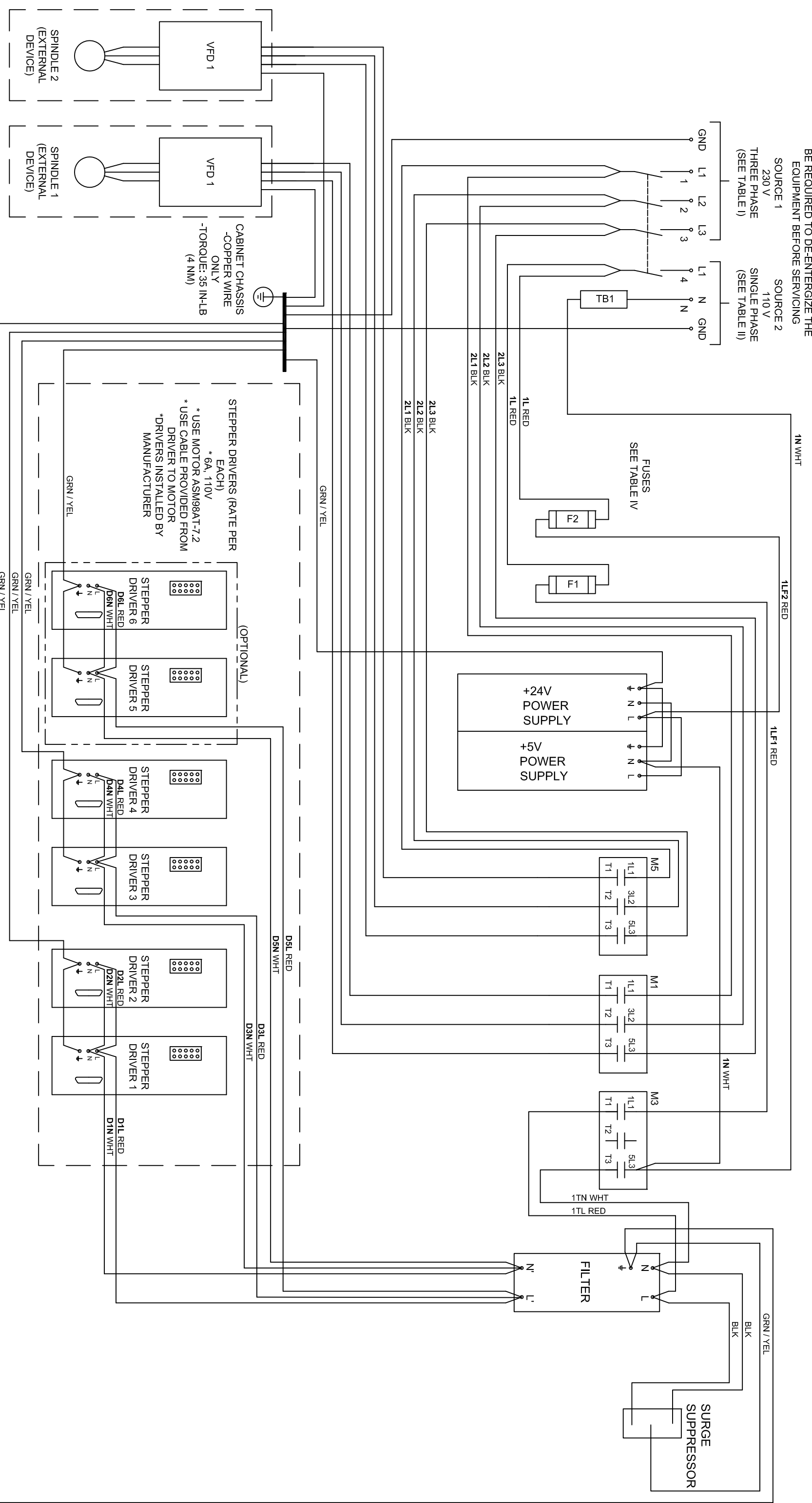


\*CAUTION-RISK OF ELECTRIC SHOCK\*  
 \*MORE THAN ONE DISCONNECT SWITCH MAY  
 BE REQUIRED TO DE-ENERGIZE THE  
 EQUIPMENT BEFORE SERVICING

SOURCE 1  
 230 V  
 THREE PHASE  
 (SEE TABLE I)

SOURCE 2  
 110 V  
 SINGLE PHASE  
 (SEE TABLE II)



ALL WIRING, CONDUCTOR SIZE AND CONDUCTOR TYPE DEVIATIONS MUST BE APPROVED BY SHOPBOT TOOLS  
 \*CONTACT SHOPBOT TOOLS FOR OPTIONAL WIRING INFORMATION

TABLE I

INPUT SOURCE 1- 230V 3 PHASE 60HZ		RECOMMENDED BRANCH PROTECTION (PROVIDED BY ELECTRICIAN)		FIELD WIRING TERMINALS		WIRE SIZE (AWG) *		SO CORD *		WIRE TYPE *		SCREW TORQUE	
SPINDLE 1 (FULL IN CIRCLE NEXT TO THE SPINDLE SHIPPED)	TOTAL FULL LOAD	LARGEST MOTOR LOAD	RECOMMENDED TIME	TERMINALS	(AWG) *	CORD *	75°C USE COPPER CONDUCTORS ONLY	CORD *	75°C USE COPPER CONDUCTORS ONLY	CORD *	75°C USE COPPER CONDUCTORS ONLY	CORD *	75°C USE COPPER CONDUCTORS ONLY
0 2X 2.2 HP HSD	22 A	11 A	20 A	10	10	10	10	10	10	10	10	10	10
0 2X 3 HP COLUMBO	22 A	11 A	20 A	10	10	10	10	10	10	10	10	10	10
0 2X 4 HP HSD	37.8 A	18.9 A	40 A	8	8	8	8	8	8	8	8	8	8
0 2X 5 HP COLUMBO	37.8 A	18.9 A	40 A	8	8	8	8	8	8	8	8	8	8
0 3 HP COLUMBO & 2.2 HP HSD	22 A	11 A	20 A	10	10	10	10	10	10	10	10	10	10
0 4 HP HSD & 2.2 HP HSD	29.9 A	18.9 A	30 A	8	8	8	8	8	8	8	8	8	8
0 4 HP HSD & 2.2 HP HSD	29.9 A	18.9 A	30 A	8	8	8	8	8	8	8	8	8	8
0 4 HP COLUMBO & 3 HP COLUMBO	29.9 A	18.9 A	30 A	8	8	8	8	8	8	8	8	8	8
0 5 HP COLUMBO & 3 HP COLUMBO	29.9 A	18.9 A	30 A	8	8	8	8	8	8	8	8	8	8
0 5 HP COLUMBO & 4 HP HSD	37.8 A	18.9 A	40 A	8	8	8	8	8	8	8	8	8	8

TABLE II

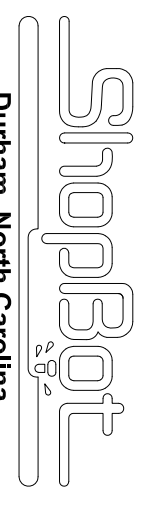
INPUT SOURCE 2- 110V 1 PHASE 60HZ		FIELD WIRING TERMINAL		WIRE SIZE (AWG) *		SO CORD *		WIRE TYPE *		SCREW TORQUE	
TOTAL FULL LOAD	LARGEST MOTOR LOAD	RECOMMENDED FEEDER PROTECTION (INVERSE TIME CIRCUIT BREAKER) (PROVIDED BY ELECTRICIAN)	TERMINAL	(AWG) *	CORD *	75°C USE COPPER CONDUCTORS ONLY	CORD *	75°C USE COPPER CONDUCTORS ONLY	CORD *	75°C USE COPPER CONDUCTORS ONLY	SCREW TORQUE
14 A	6 A	15 A	DISCONNECT 4- TERMINAL BLOCK N- NEUTRAL	12	12	12	12	12	12	12	16 IN-LBS (1.8 NM)

TABLE IV

FUSE NO.	RATING
F1	20A CLASS CC-600V (LITTLE FUSE CCMR20A)
F2	3A CLASS CC-600V (LITTLE FUSE CCMR3A)

TABLE III

OUTPUT LOAD- 230V 3 PHASE 60HZ		FIELD WIRING TERMINALS		WIRE SIZE (AWG) *		SO CORD *		WIRE TYPE *		SCREW TORQUE	
SPINDLE 1 (FULL IN CIRCLE NEXT TO THE SPINDLE SHIPPED)	VFD	LOAD	TERMINALS	(AWG) *	CORD *	75°C USE COPPER CONDUCTORS ONLY	CORD *	75°C USE COPPER CONDUCTORS ONLY	CORD *	75°C USE COPPER CONDUCTORS ONLY	SCREW TORQUE
0 12.2 HP HSD	CIMR-VUDA0012GAA	11 A	M1- T1, T2, T3	12	12	12	12	12	12	12	14 IN-LBS (1.6 NM)
0 3 HP COLUMBO	CIMR-VUDA0012GAA	11 A	M1- T1, T2, T3	12	12	12	12	12	12	12	14 IN-LBS (1.6 NM)
0 4 HP HSD	CIMR-VUDA0020GAA	18.9 A	M1- T1, T2, T3	10	10	10	10	10	10	10	14 IN-LBS (1.6 NM)
0 5 HP COLUMBO	CIMR-VUDA0020GAA	18.9 A	M1- T1, T2, T3	10	10	10	10	10	10	10	14 IN-LBS (1.6 NM)
0 12.2 HP HSD	CIMR-VUDA0012GAA	11 A	M5- T1, T2, T3	12	12	12	12	12	12	12	14 IN-LBS (1.6 NM)
0 3 HP COLUMBO	CIMR-VUDA0012GAA	11 A	M5- T1, T2, T3	12	12	12	12	12	12	12	14 IN-LBS (1.6 NM)
0 4 HP HSD	CIMR-VUDA0020GAA	18.9 A	M5- T1, T2, T3	10	10	10	10	10	10	10	14 IN-LBS (1.6 NM)
0 5 HP COLUMBO	CIMR-VUDA0020GAA	18.9 A	M5- T1, T2, T3	10	10	10	10	10	10	10	14 IN-LBS (1.6 NM)



POWER DIAGRAM 10228-01

REV	CHG NOTICE	DATE	BY	REVISION DESCRIPTION
4	ECH0313	07MAR13	KWP	MODIFIED REQUIRED WIRE TYPE

REV	DATE	CHECKED	DATE	APPROVED
4				

TITLE	SIZE	DRAWING NUMBER	PART NUMBER
POWER DIAGRAM 10228-01	C	002518-00	002518-00

DATE	DATE	DATE

ShopBot  
 Durham, North Carolina