

E-Chain Y-Axis Wiring Installation

ShopBot Tools, Inc.
3333-B Industrial Drive,
Durham NC 27704
ShopBotTools.com

Technical Support
support@shopbottools.com
1-888-680-4466

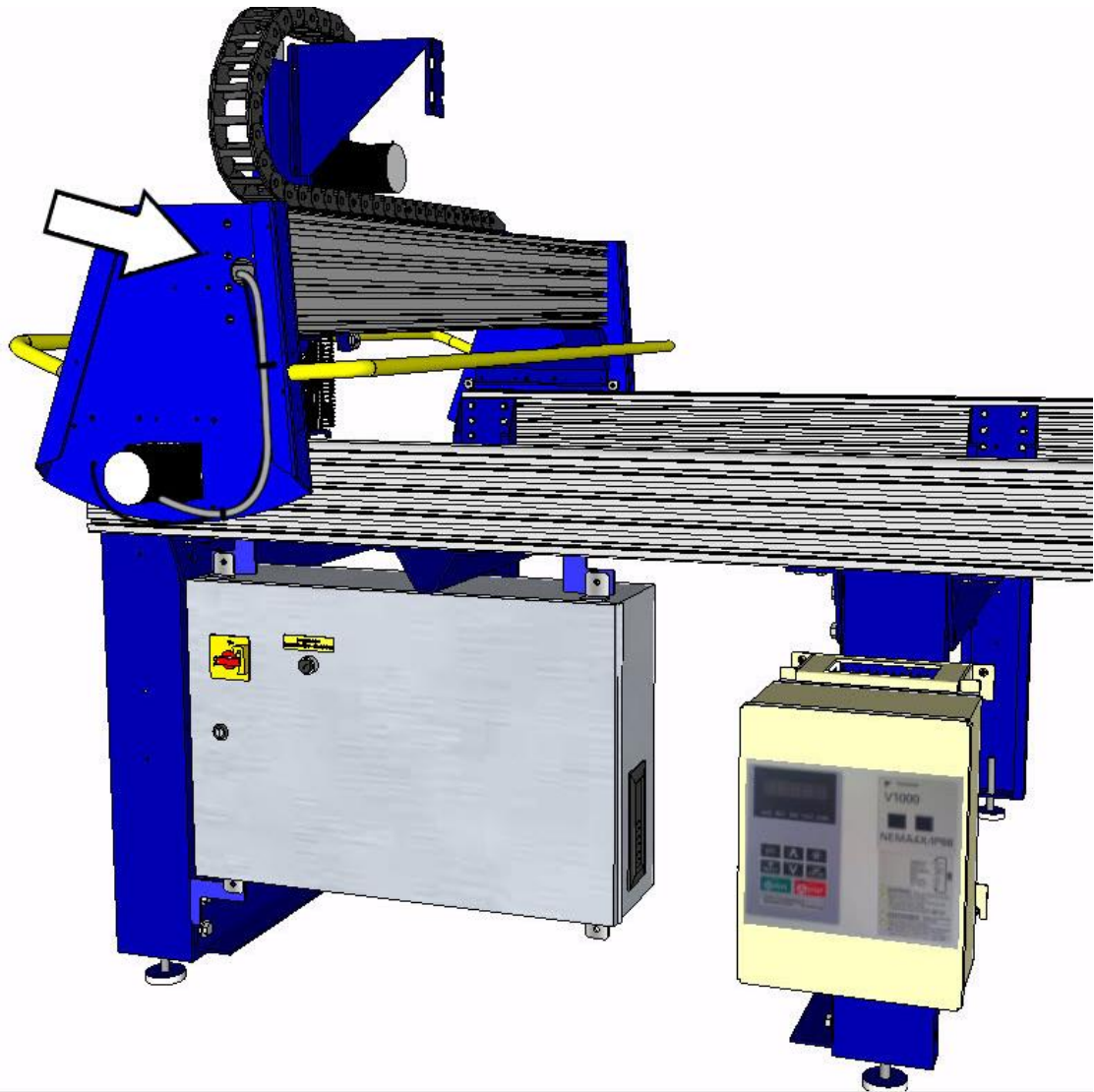
Table of Contents

Installation	3
Step 1:	3
Step 2:	4
Step 3:	4
Step 4:	5
Step 5:	5

Installation

Step 1: Orient E-chain so cables “exit” the chain on the opposite side of the table from the control box and VFD, as shown below.

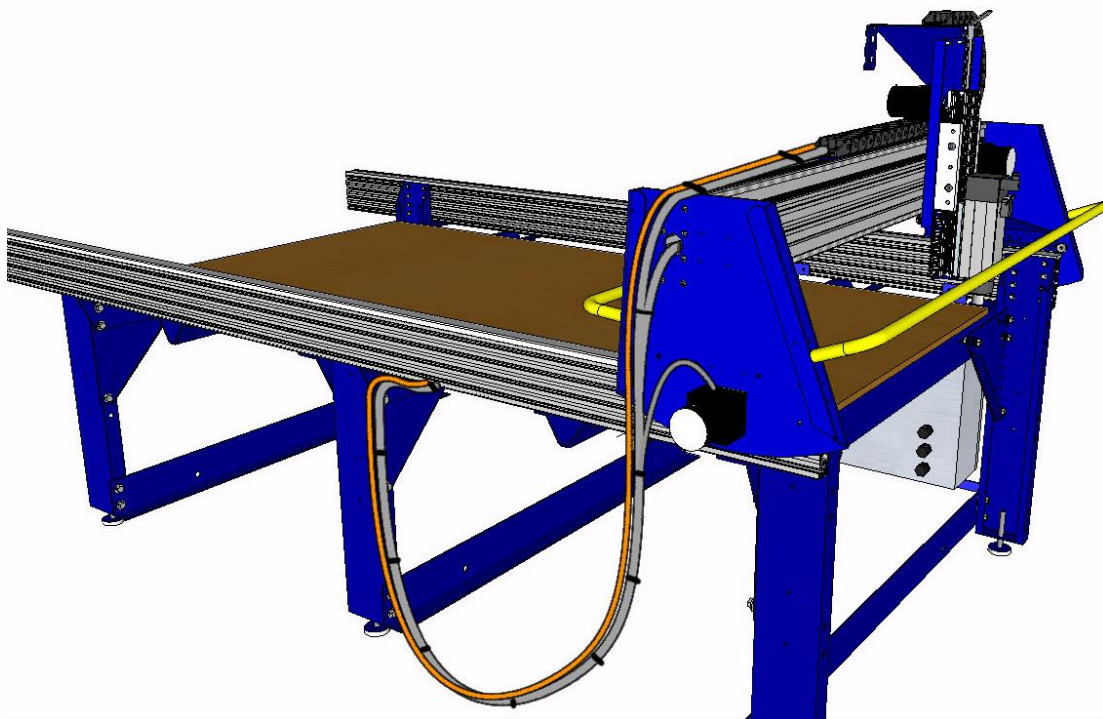
Route the X1 motor cable (the motor closest to the control box) and X-axis proximity switch (if it is located this side) through the hole in the center of the gantry beam.



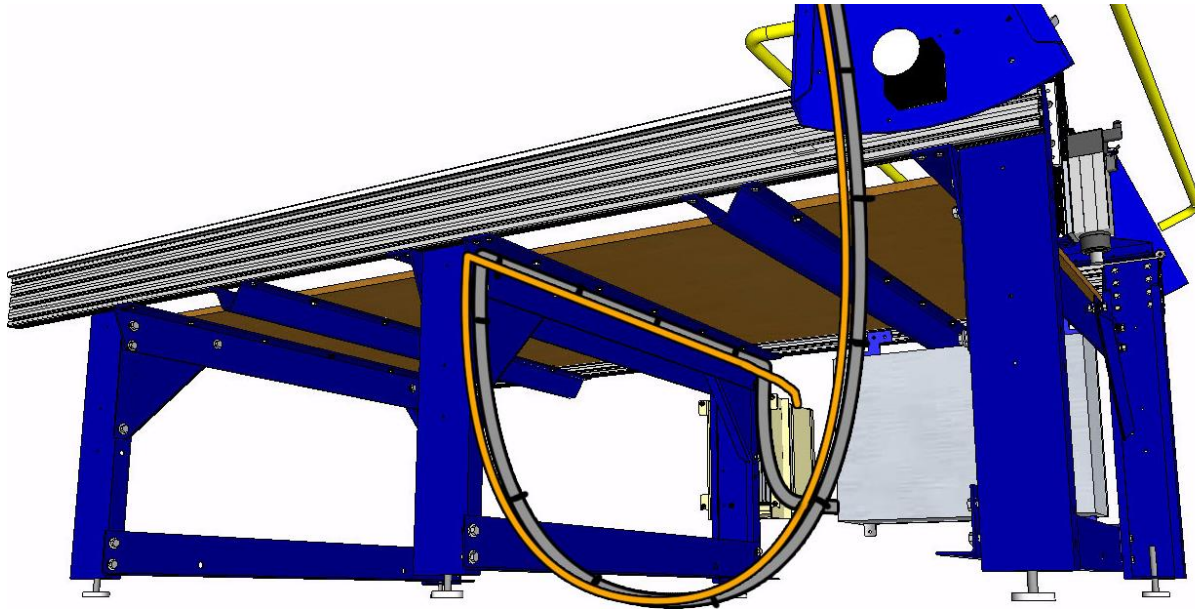
Step 2: Lay all cables coming from the YZ car into the e-chain. This should include:

- Y motor cable
- Z motor cable
- Y-axis proximity switch cable
- Spindle or router power cable (try to keep the spindle power cable separate from the motor cables as it can cause electrical interference. It still goes inside the e-chain, but should run parallel instead of crossing over the others)
- Spindle fan power cable (if applicable)

Step 3: As cables exit the e-chain, zip-tie them together at approx. 12" intervals. Tie in the X motors and X-axis proximity switch cables to this "cable rope," and secure them to the end plate of the gantry with another zip tie. Do not overtighten these ties. Doing so may damage the wires inside.



Step 4: Run the loose end of the cables under the table towards the control box and VFD. Make sure there is enough slack in the cable rope to allow the gantry full movement across the table and secure the cable to the cross-supports or legs under the table - or whatever works best.



Step 5: Wire the cables to the control box and VFD, as detailed in the assembly manual. DO NOT coil additional cable into tight loops, as this creates an antenna for electrical interference which can cause problems while running part files.

Revision History

Date:	ECO:	Change:	Author:
2015 12 18		New Release	